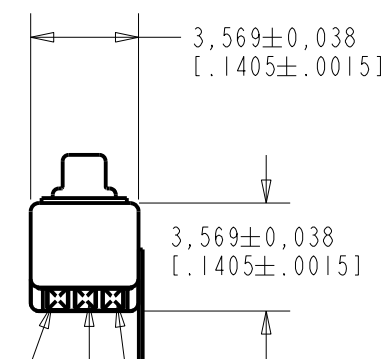
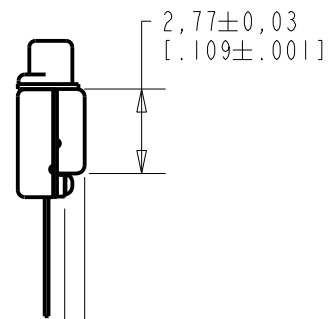
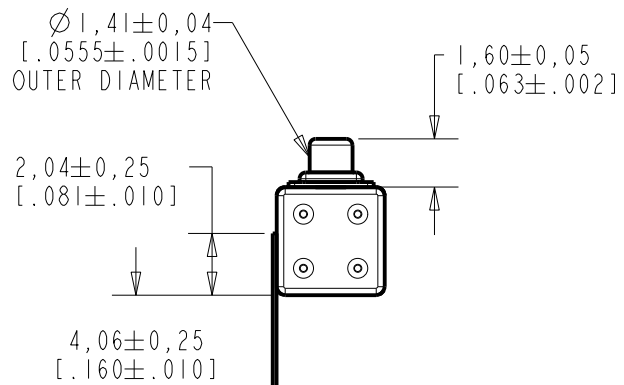
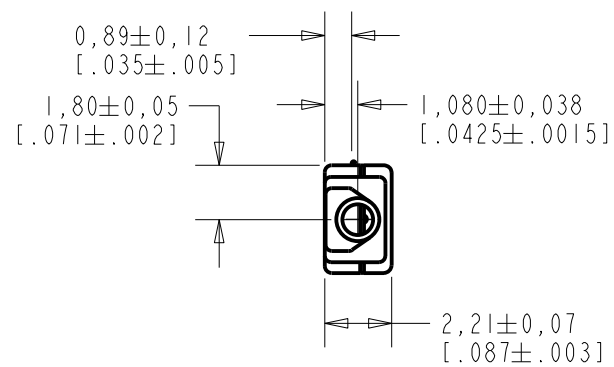


EM-31144-P58

SHT 1.1

NOTE:

1. INCREASED PRESSURE AT SOUND INLET CAUSES A POSITIVE GOING VOLTAGE TO APPEAR AT THE OUTPUT TERMINAL, RELATIVE TO THE NEGATIVE TERMINAL.



POSITIVE TERMINAL
NEGATIVE TERMINAL
OUTPUT TERMINAL

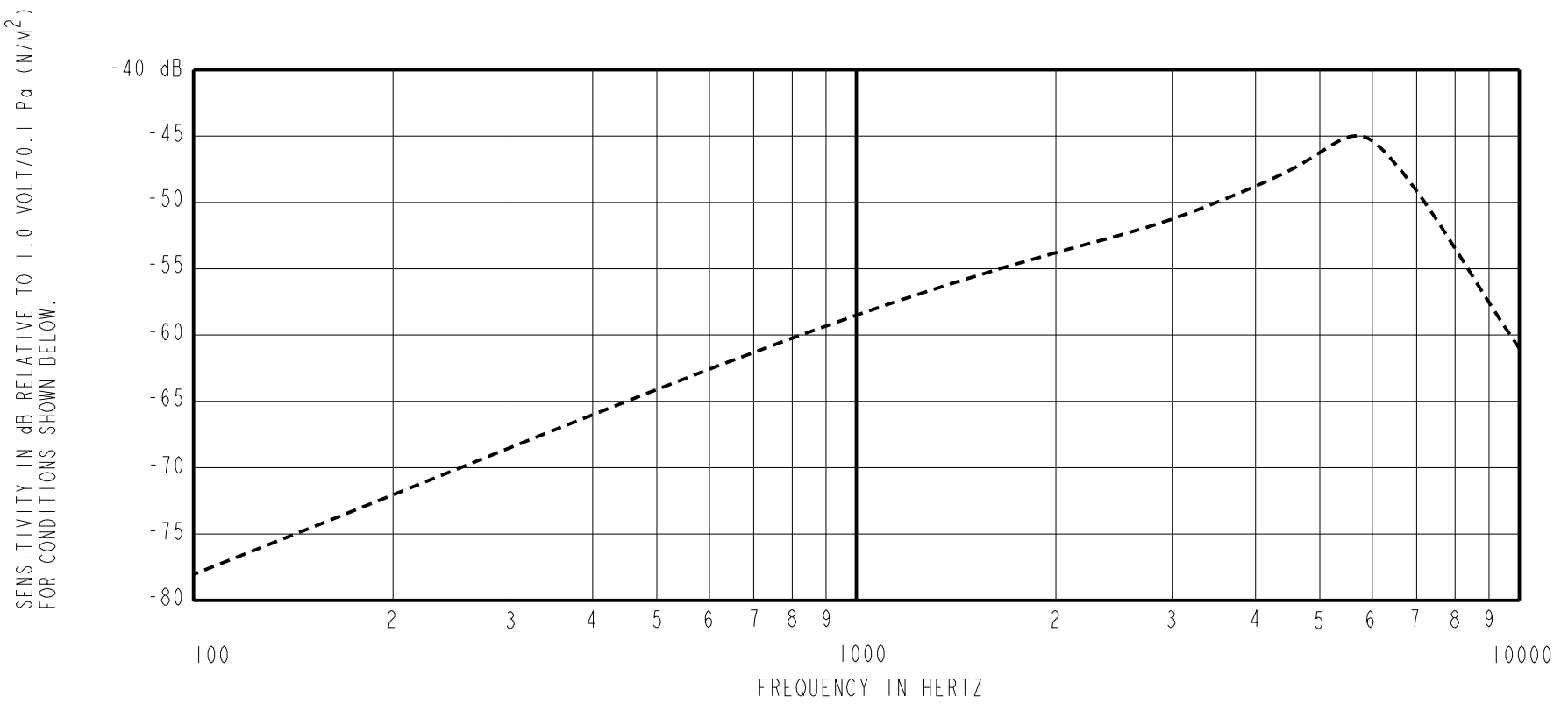
WIRE WELDED TO CASE

NOMINAL WEIGHT
.08 GRAM

DIMENSIONS IN MILLIMETERS [INCHES]

Revision	C.O. #	Implementation Date	RELEASE LEVEL	REVISION
B	MI0104420	1-12-12	Active	B
A	MI0103906	11-3-10		
SCALE: 4:1				
DO NOT SCALE DRAWING			DR. BY	DATE
TITLE: MICROPHONE & CABLE			LSY	11-3-10
			EM-31144-P58	
OUTLINE DRAWING			GJP	11-12-10
			SHT 1.1	
			GJP	11-12-10

KNOWLES ELECTRONICS
ITASCA, ILLINOIS U.S.A.

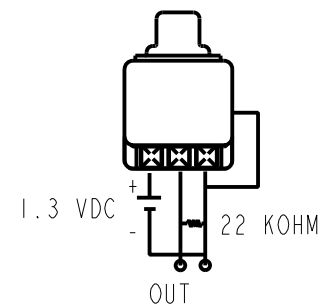


FREQUENCY	SENSITIVITY			DEVICE CONFORMITY	
	MIN.	NOM.	MAX.	RANGE OF DEVIATION FROM 1KHz	
300	---	-68.5	---	-11.5	-8.5
1000	-62.5	-58.5	-54.5	0.0	0.0
5800	---	-45.0	---	+8.0	-18.0

NOTES:

1. CASE CONNECTED TO NEGATIVE TERMINAL USING CASE GROUND WIRE.
2. MICROPHONE TO BE FUNCTIONAL WITH 10 VDC SUPPLY.
3. TYPICAL SENSITIVITY TO HUMIDITY AT 1000Hz IS 0.06 dB/%RH
4. SENSITIVITY AND NOISE VALUES INDICATED ON THIS SPECIFICATION ARE VALID AT 50% HUMIDITY.

PORT LOCATION	DC SUPPLY	AMPLIFIER CURRENT DRAIN	SENSITIVITY CHANGE ON REDUCING SUPPLY TO 0.9VDC	"A" WEIGHTED NOISE (RE 1 VOLT)	OUTPUT IMPEDANCE OHMS		
					MIN.	NOM.	MAX.
12B	1.3V	50 µA MAX.	3 dB MAX.	-97.0 dB MAX.	2800	4400	6800



Revision	C.O. #	Implementation Date	RELEASE LEVEL	REVISION
B	M10104420	1-12-12	Active	B
A	M10103906	11-3-10		
WHEN TEST LIMITS ARE USED TO ESTABLISH INCOMING INSPECTION ACCEPTANCE/REJECTION CRITERIA, CORRELATION OF TEST EQUIPMENT WITH KNOWLES IS ALSO REQUIRED FOR ELIMINATION OF EQUIPMENT AND TEST METHOD VARIATION				
TITLE MICROPHONE & CABLE PERFORMANCE SPECIFICATION			DR. BY LSY DATE 11-3-10	DR. BY GJP DATE 11-12-10
EM-31144-P58 SHT 2.1			APP. BY GJP DATE 11-12-10	

KNOWLES ELECTRONICS
ITASCA, ILLINOIS U.S.A.